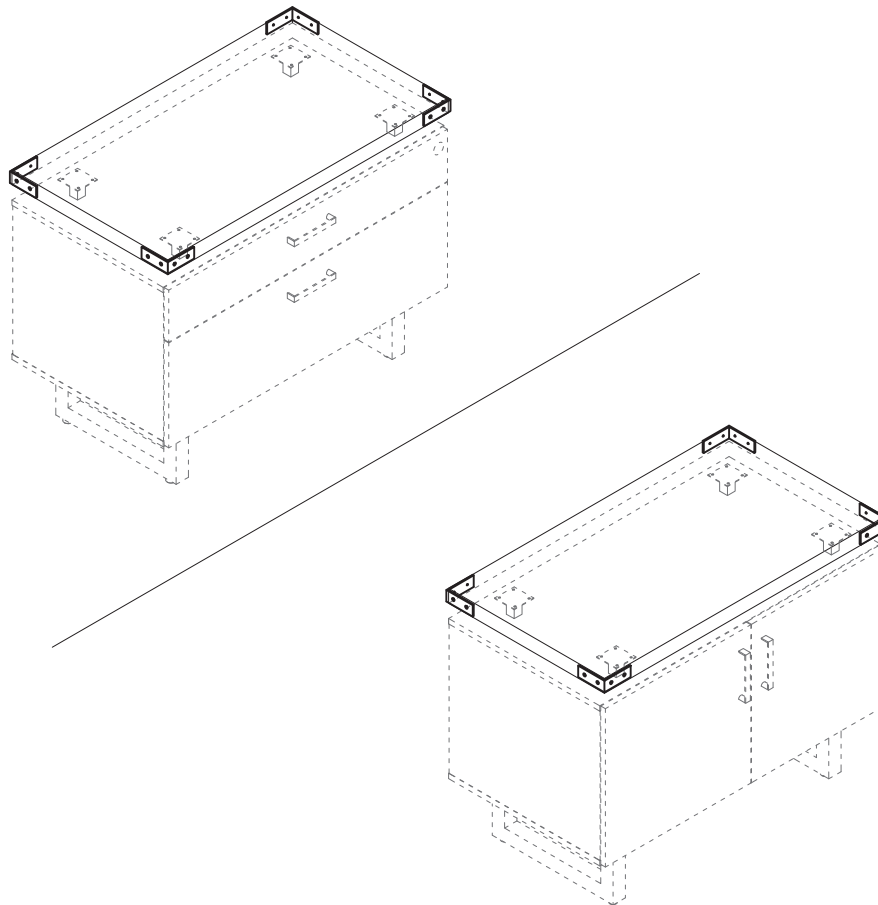




Mirella Series

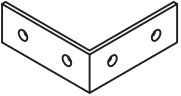



Universal Lateral File /Storage Cabinet Top

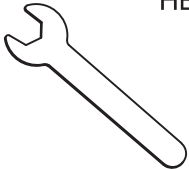
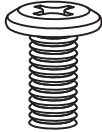
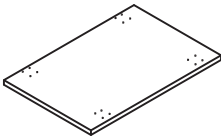
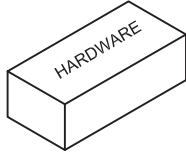
Model No.MRUT36 & MRUT30



For questions or concerns, please call 1-888-971-6225 available
Monday-Friday 7:30 AM to 5:00 PM (Central Time)
(English-speaking operators)

PARTS LIST

Name	Part	Qty.	Spare Qty
A	 <p style="text-align: right;">HB</p> <p>100*100*38*4mm</p>	4	
B	 <p style="text-align: right;">HB</p> <p>M4*14mm</p>	16	
C	 <p style="text-align: right;">HB</p> <p>M6*35mm</p>	4	
D	 <p style="text-align: right;">HB</p> <p>M6 Nut</p>	4	

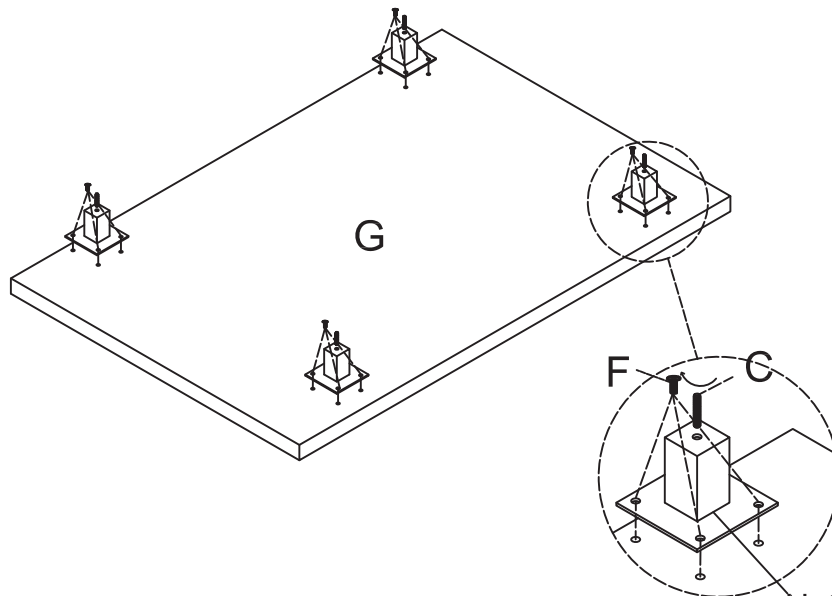
Name	Part	Qty.	Spare Qty
E	 <p style="text-align: right;">HB</p> <p>Wrench</p>	1	
F	 <p style="text-align: right;">HB</p> <p>M6*15mm</p>	16	1
G	 <p style="text-align: right;">HB</p> <p>Top Panel</p>	1	
	 <p style="text-align: right;">HB</p> <p>MRUTHB</p>		

Items with HB are in hardware box.

IMPORTANT!

Review ALL instructions before beginning assembly. These instructions are provided to avoid problems that may occur from improper assembly or installation. SAFCO and/or its distributor are not responsible for failure resulting from improper assembly or installation of this product. Moreover, all warranties are void for failure to follow these assembly instructions.

- 1 Use the Screw (F) to install the T Square Support Part to the Top Panel (G), then lock the Screw (C) in the T Square Support Part;



Notes: The T Square Support Parts , please get them from the carton of pedestals;

- 2** Use Wrench (E) lock the Nut (D) on the cabinet, Use the Screw (B) to install the L Bracket (A) to the end edge of the Top Panel (G).

Notes: Do not install Part (A) if mounting MRBS3 Bookshelf

